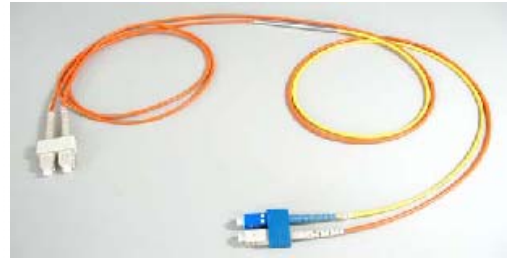



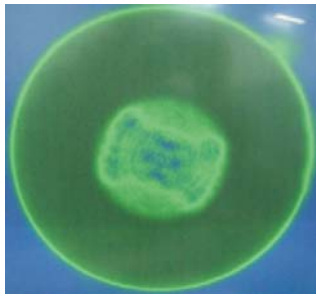
# Mode Converter (Mode Conditioning Patchcord)

## Product Information

POFC developed this Mode Converter (Mode Converting Patchcord) which converts Laser pulse energy through a singlemode pigtail evenly into the smallest DMD mode groups of a multimode fiber, in fact, it is an advanced Mode Conditioning Patchcord as shown in the testing results, and compared with other vender's Mode Conditioning Patchcord.



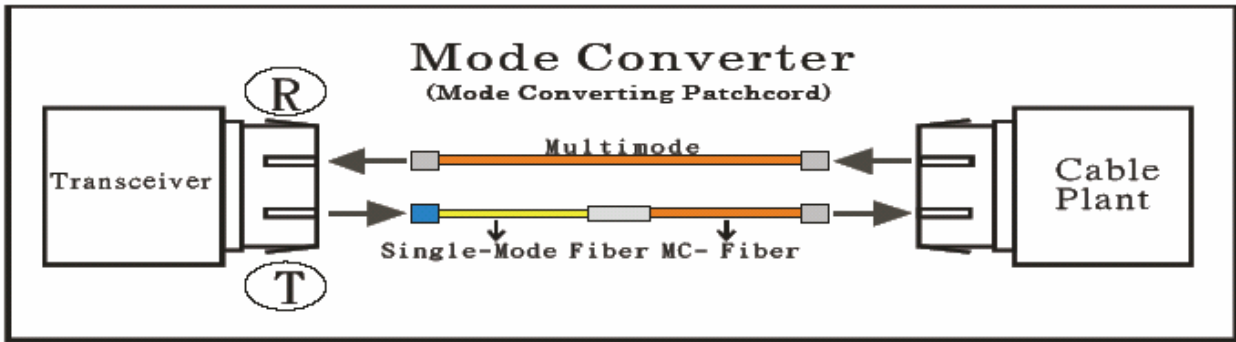
### Test Results:

Product	POFC Mode Converter (Mode Converting Patchcord)	Mode Conditioning Patchcord
Cable Plant	62.5/125 or 50/125 MMF	62.5/125 or 50/125 MMF
Operating wavelength	850nm or 1310nm	1310nm
Maximum insertion loss	0.4dB (Typ:0.15dB)	0.5dB (Typ:0.25dB)
Coupled power ratio(CPR)	26<CPR<45 dB for 62.5 and 50µm MMF	28<CPR<40 dB for 62.5µm MMF 12<CPR<20 dB for 50µm MMF
Back reflection	SM channel: 30dB MM channel: 20dB	
Sheath color	Orange (yellow for SM leg)	
Temperature Cycling	-40 to +75°C, 40 cycles = 0.2dB Change	
Vibration (Mated Pair)	10-55 Hz, 1.5mm P to P < 0.2dB Change	
High Temperature	70°C for 96 hours < 0.4dB Change	
Mating Durability	500 mating cycles clean every 25 < 0.2dB Change	
Damp Heat	40°C at 93% RH, 96 hours < 0.4dB Change	
Operating Temperature	-40°C to +85°C	
Output End Image (Intensity color coded)		

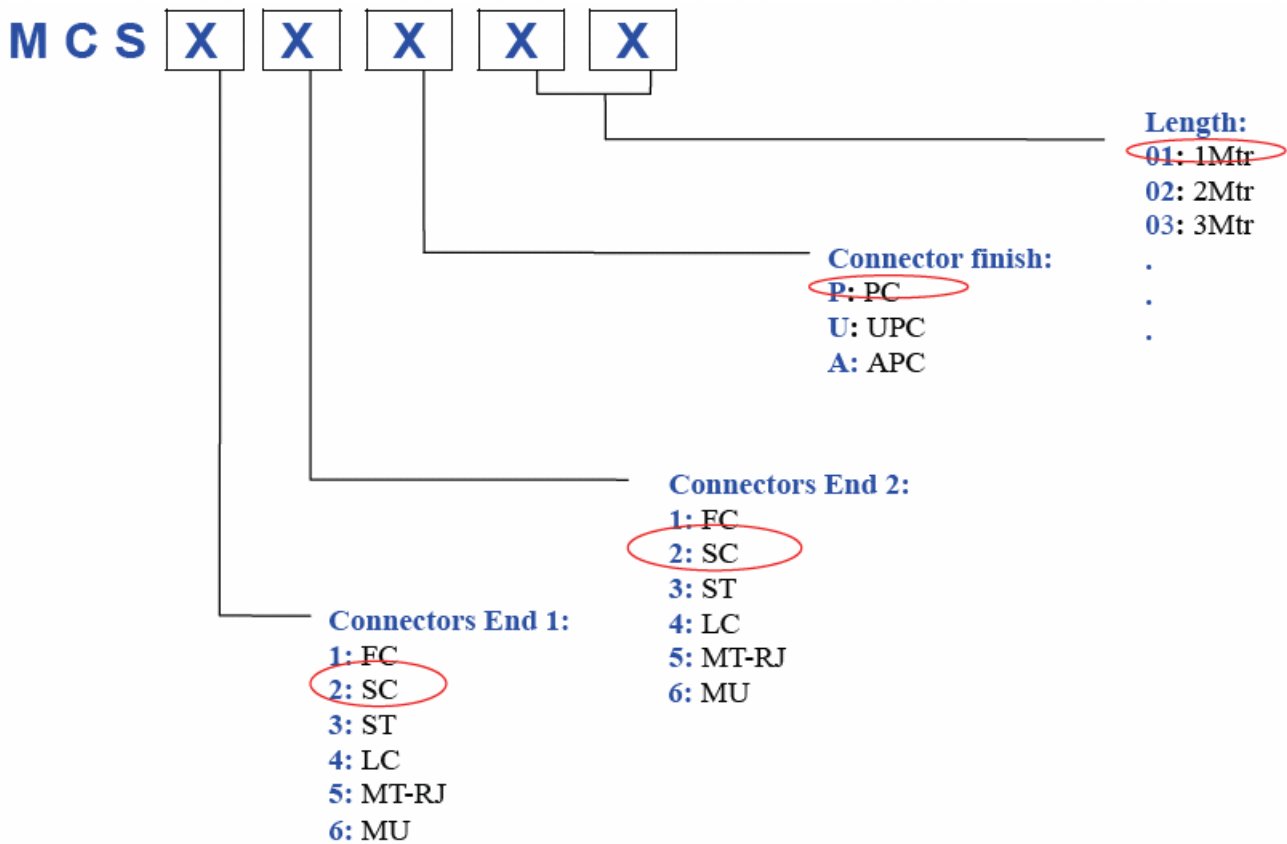
### Prime Optical Fiber Corporation

No.11, Ke Jung Rd.  
 Science-Based Industrial Park  
 Chu-Nan, 350, Miao-Li County, Taiwan, R.O.C.  
 Tel: 886-37-586999 Fax: 886-37-586899  
 E-mail: sales@pofc.com.tw





**Ordering Information :**



**Example:** MCS **2** **2** **P** **0** **1** → Mode Converter **2** **SC** **PC** - **2** **SC** **PC** - **1M**

**Prime Optical Fiber Corporation**

No.11, Ke Jung Rd.  
 Science-Based Industrial Park  
 Chu-Nan, 350, Miao-Li County, Taiwan, R.O.C.  
 Tel: 886-37-586999 Fax: 886-37-586899  
 E-mail: sales@pofc.com.tw

